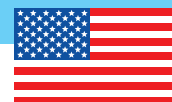


**Sorbothane®**

Designed to Prevent  
Marring & Denting

# SOFT-BLOW MALLET



MADE IN  
THE U.S.A.

## CONTROL THE BLOW

The Sorbothane® SOFT-BLOW MALLET is made from a unique visco-elastic polymer that is recognized worldwide as the ultimate material for absorbing shock and isolating vibration. Available in three weights - the SOFT-BLOW MALLET provides maximum surface contact without denting or marring. Safe for use on wood, metal, vinyl, tile, glass and plastic.

Prevents  
Surface Damage

**SAFE  
FOR ALL  
SURFACES**

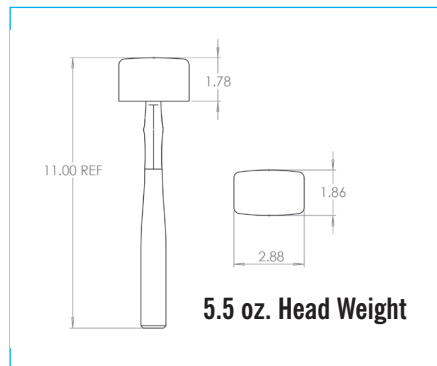
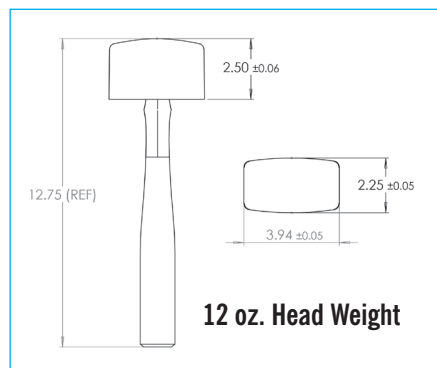
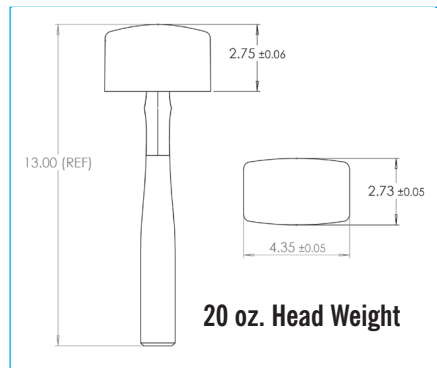
**NEW**  
20 oz.  
Suggested Retail  
\$39.95

**ORIGINAL**  
12 oz.  
Suggested Retail  
\$35.99

**NEW**  
5.5 oz.  
Suggested Retail  
\$29.99

**PERFECT FOR**

- Fine Wood Working
- Auto Body, Trim & Glass
- Finish Carpentry
- Cabinetry
- Remodeling
- Windows & Glass



2144 State Route 59 | Kent, Ohio 44240 | 800.838.3906 | 330.678.9444 | Fax 330.678.1303

[sorbothane.com](http://sorbothane.com)

©2013 Sorbothane Inc.